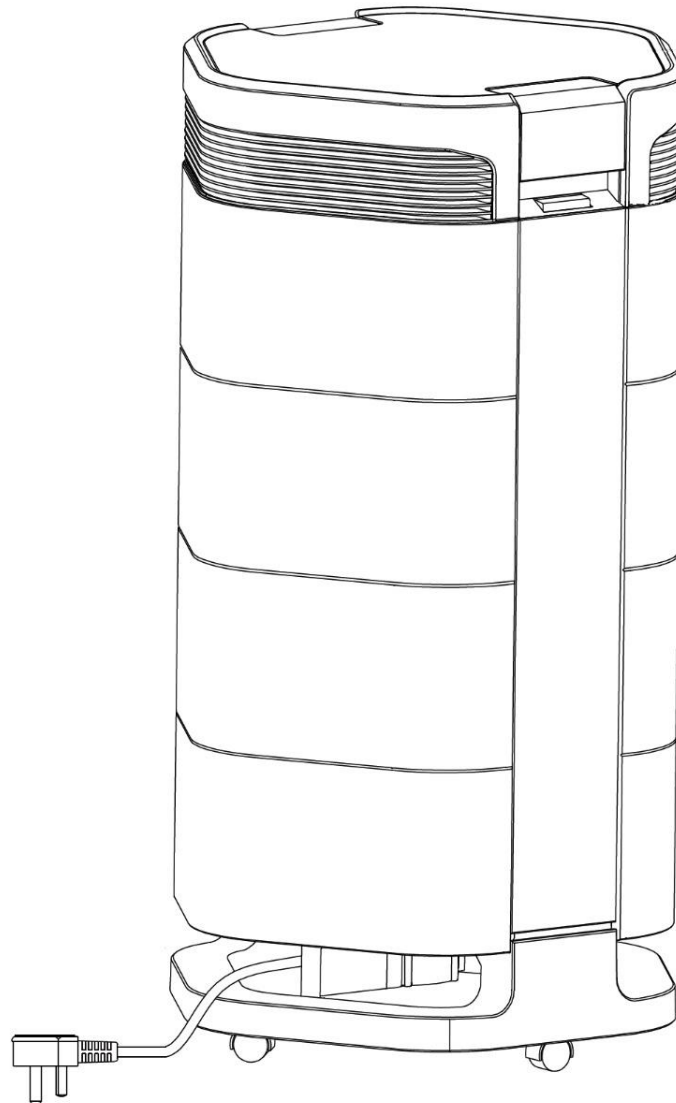


Air Purifier WDH-H600A



Dear Customer,

You have chosen a high-quality product. To ensure that you get a lot of enjoyment from this product, here are a few more tips:

In case of any problems:

We hope that the appliance meets your expectations! If, despite the greatest possible care, there should ever be cause for complaint, please contact us briefly, as we are very concerned about your satisfaction and would like to clear up any misunderstanding.

Equipment and quality features:

Pre-filter: The pre-filter removes all larger particles such as coarse dust, hair and lint and ensures a longer life for the other filters.

HEPA filter: One of the best filters around, this branded "H13" class filter captures and filters particles as small as 0.0003mm. This includes pollen, germs, mould spores and dust with a purity rate of 99.97% !!!

Active carbon filter: Absorbs and cleans many types of smoke and odours (e.g. cigarette smoke) and also helps break down toxic fumes, gases and solvents.

EPA & Active Carbon Filter Combination: A filter as a combination of the two quality filters mentioned above to achieve even better results.

Anion exchanger: Produces approx. 3 million anions/ions per second, which proactively combat smoke and other dirt particles in the room.

Air sensor operation (automatic mode): Automatically measures the air quality. If the determined air quality is very good, the air purifier automatically switches to the lowest operating strength. If the result is the opposite and the air quality is inferior or poor, the operating strength is automatically adjusted upwards.

Auto timer: With the timer, you can set/select a switch-on time and remaining time of the appliance of up to 8 hours.

Touch panel: With this modern control panel, you can make your settings quickly and precisely.

5 speed levels: Five choices for your personal requirements.

Night mode: Dimmed mode and very quiet operation.

LED display: The air purifier has a modern and very clear LED display, so you always have a quick overview of all settings. Furthermore, the current air quality is displayed.

Sturdy housing: Very robust and with a high-quality and attractive design.

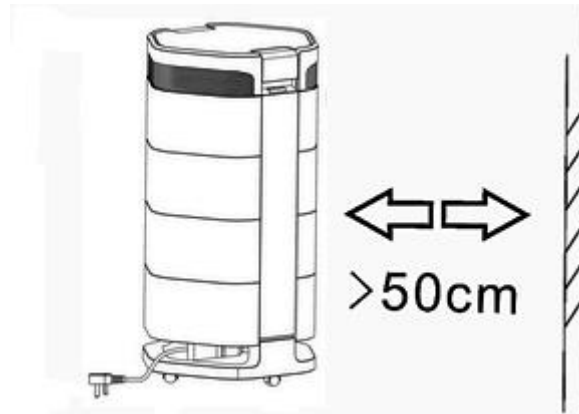
Child lock: Suitable to prevent unintentional adjustment of the settings.

Important safety instructions:

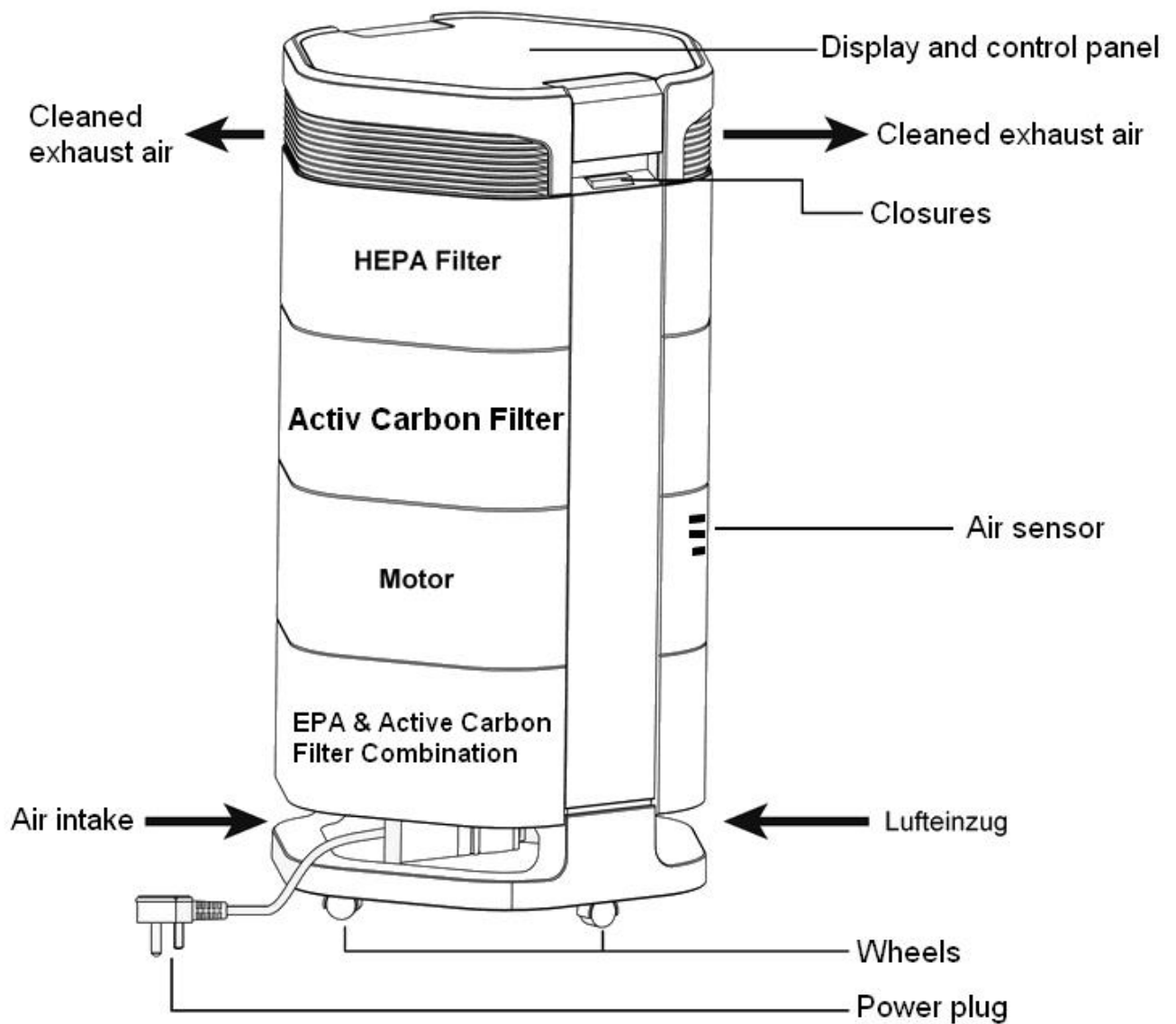
- Operate the unit only in a straight position and with a straight/level stand !
- Ensure a minimum outer distance of 50 cm and a minimum upper distance of 40 cm to inventory and walls !
- Do not place any objects on the appliance and make sure that the air intake and the exhaust air are always free!
- The appliance does not replace room ventilation and is not suitable for use as an extractor bonnet when cooking.
- Supervise the air purifier when children or animals are near the unit !
- This air purifier should only be operated by persons who have the necessary physical and mental capabilities to operate this device without problems !
- Watch out for electricity, never walk into or insert objects into the appliance !
- Only qualified personnel or electricians are allowed to open the inside of the unit !
- Protect the unit from all moisture and wetness !
- Only use the recommended voltage for operating the unit !
- Make sure that the power cable is unfolded (untied) before connecting it to the socket !
- Make sure that the plug is cleanly and properly connected to the socket before using the appliance !
- Do not expose the filters to insect spray, they could later release the insect spray unintentionally !
- Switch off the appliance and unplug the mains plug if you want to clean the appliance !
- Only clean the appliance with mild cleaning agents !
- Avoid using the unit at high room temperatures or in humid conditions !
- Do not make any independent modifications to the unit or the cables !
- Never reach near the plug or socket with wet hands !
- Make sure that highly flammable substances (e.g. gases/oils etc.) are never in the vicinity of the unit !
- If you are not going to use the unit for a long time, switch it off and disconnect the mains plug !

Please switch off the unit immediately and disconnect it from the mains/power supply if anything seems to be wrong !!! In this case, please contact a specialist and do not attempt to repair the unit yourself !!!

Examples: Fuse has blown or the appliance is making unusual noises and/or it smells burnt.

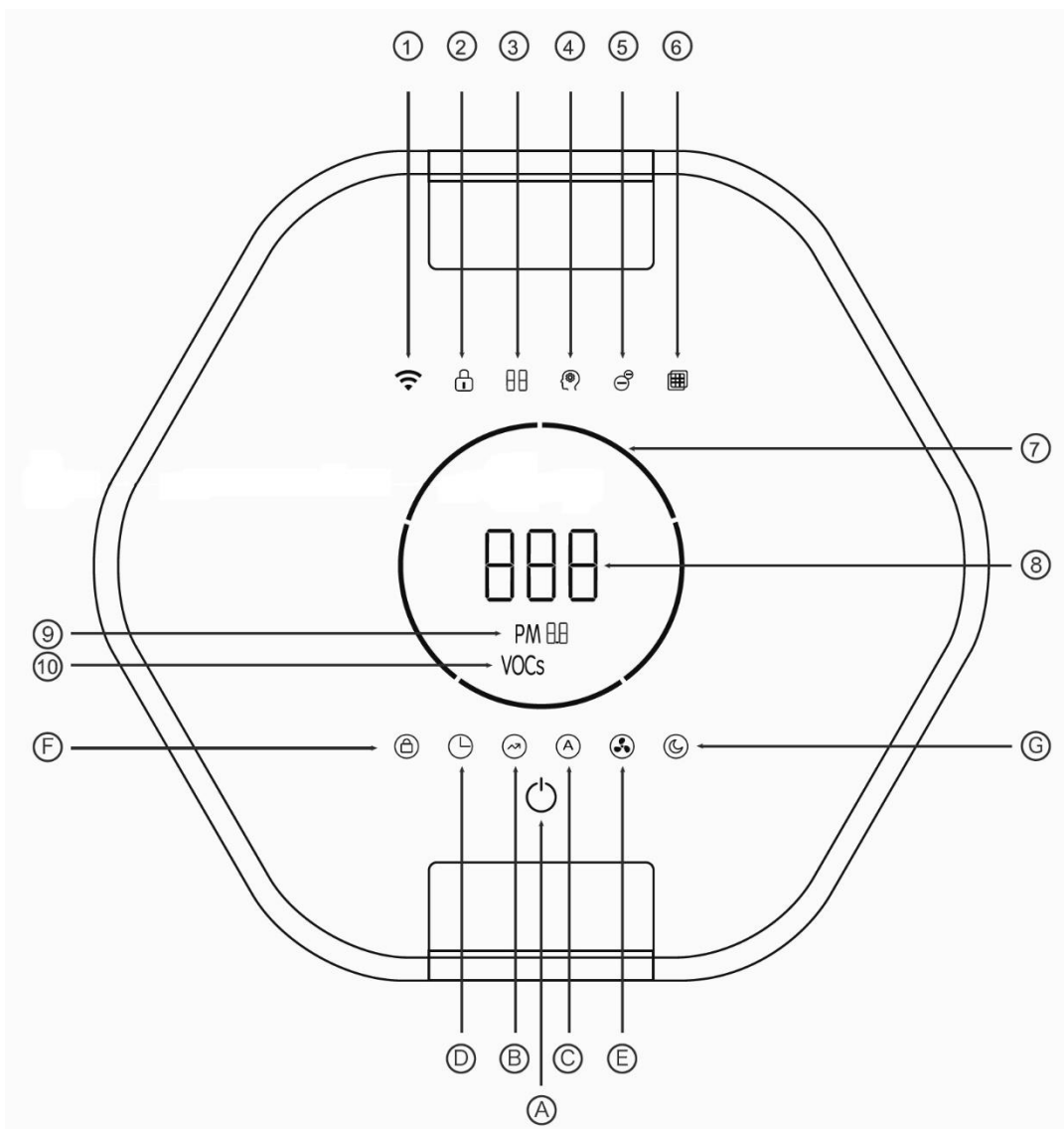


Device description (front and rear view):



Instructions for use:

1.) Overview of control and display panel:



- | | |
|---|--|
| A) On/Off button | 1) WiFi function (Not available) |
| B) Air sensor button | 2) Symbol for "Child lock active" |
| C) Button for automatic mode | 3) Timer display (timer setting active) |
| D) Timer button | 4) Symbol for "Automatic mode active" |
| E) Setting the air circulation / operating strength | 5) Symbol for "Ion exchanger active" |
| F) Child lock selection button | 6) Filter change indicator |
| G) Selection button night operation | 7) Display of the operating strength |
| | 8) Display of air pollution |
| | 9) Display of the selected filter rate |
| | 10) Air sensor display (Organic compounds) |

2.) Preparation and installation of the filters

The air purifier is equipped from the factory with a pre-filter as well as a HEPA filter, an active carbon filter and an EPA & active carbon filter combination. First open the two latches of the air purifier by pressing them and pulling them outwards. Now remove each individual shelf of the air purifier piece by piece to access the individual filters. Be careful to pull the motor shelf a little harder and straight upwards, as it is connected to the lowest shelf by a plug (see fig. 1 & fig. 2). When inserting the combi-filter, make sure that it is inserted the right way round. Also, when reassembling the unit, make sure that the shelves are attached in the correct order and correctly aligned. It is important that the electronic contacts of the top shelf connect with the contacts of the caps (see fig. 3 & fig. 4). The same applies to the plug connection of the lowest tier with the motor (see fig. 1 & fig. 2) !

Note: If the shelves or the air purifier are assembled incorrectly, the air purifier will not switch on because there is no power supply !



Fig.1

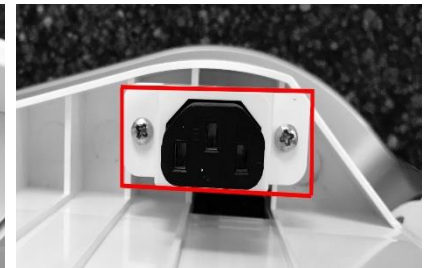


Fig.2



Fig.3



Fig.4

3.) The right location

We recommend that you place the air purifier under the following aspects:

- Central to achieving the highest possible effectiveness.
- Near possible sources of dirt (windows, doors, pets, smokers).
- With a minimum distance to the rear of 50 cm and to the top of 40 cm.
- With a distance of approx. 100 cm to TVs, radios and similar devices.

4.) Power connection

First take the power cable and insert the plug into the socket. Now the display panel lights up and the air purifier is ready for use.

5.) Switching the unit on and off

Press the On/Off button on the control panel of your air purifier to switch your unit on or off. When the unit has been switched on, it starts its operation in automatic mode by default.

6.) Setting the various operating strengths in manual mode

Press the button to set the air circulation and select your desired power level by pressing it repeatedly. You can choose between five different strengths (90m³/h at the weakest level and 540m³/h at the highest level).

7.) Air sensor operation (automatic mode)

In addition to the manual setting as explained before in point 6, the air purifier also has an automatic air sensor mode (automatic mode). Press the selection button for automatic mode. The air sensor mode of the air purifier is now activated. This is also shown in the display.

If the determined air quality is "good", the air purifier automatically switches to the weak operating strength. If the result is the opposite and the air quality is inferior or poor, the air purifier switches to a stronger operating strength.

The general air quality and the "pollution" of the air by dust and organic compounds are displayed on the control and display panel. The display of the air pollution (the PM value) can take on three different colours depending on the pollution:

- PM value < 75 = Blue value → Clean Air
- PM value 75 - 150 = Yellow value → Light pollution in the air
- PM value > 150 = Red value → Heavy air pollution

Operating instructions for automatic air sensor operation:

The air sensor reacts to particles in the air and thus always gives only a tendency of the air quality. Since it is a tendency (similar to a weather station), this function cannot provide a 100% reliable statement about pollutants in the room air or about the entire area of a room.

Furthermore, stronger operating fluctuations may occur from time to time (jump from good to bad and vice versa), as the air sensor probe reacts to different particles in the room and is also exposed to draughts.

Note: We recommend that you blow hard into the outer holes of the air sensor at regular intervals to prevent dirt from accumulating there.

8.) Night operation

Press the night mode selection button. In night mode, the air purifier operates at the weakest and quietest operating level. Furthermore, all displays on the control and display panel except the selection button for night mode are dimmed. You can end night mode by pressing the selection button again.

9.) Anion exchanger

The air purifier is equipped with an anion exchanger. In automatic mode, this function is already switched on automatically and switches on or off automatically as required.

Note: In manual mode as well as in automatic mode, you can switch the anion function on or off as desired. This is done by pressing and holding the On/Off button for 3 seconds.

10.) Timer function

With the timer function, you can set a remaining running time or a starting time on your air purifier.

10.1 Determination of the remaining term:

During operation, press the timer button repeatedly to select the desired remaining time of the air purifier. (A value between 1 and 8 hours can be selected). After this selected operating time has elapsed, the unit automatically switches off completely.

10.2 Determination of a start time:

While the air purifier is switched off, press the timer button repeatedly to select the desired start time. (A value between 1 and 8 hours can be selected). After the selected time has elapsed, the unit automatically switches on in automatic mode.

11.) Child lock

Press and hold the child lock selection button for approx. 5 seconds to activate or deactivate the child lock. The desired action is signalled by the lock symbol in the display panel of your air purifier. If the child lock is activated, no more settings can be made directly on the unit. To cancel the child lock, press the child lock button again for approx. 5 seconds.

12.) Filter change

- Disconnect the mains plug before cleaning/replacing the filters. For best filtration results, we strongly recommend that you use only original filters from the manufacturer.
- Never wash the filters. (Only the pre-filter can be cleaned carefully).

To change the filter, follow the instructions and diagrams as described earlier in the operating instructions under point 2.)

The filter change indicator in the display shows you when it is necessary to change one or more filters of your air purifier. Under normal conditions, the combi-filter lasts approx. 6 months with operation of approx. 8 hours per day! In more polluted rooms, e.g. smoking rooms, it may be necessary to replace the filters after a shorter period of time (at the latest when the HEPA filter is dark brown, it should be replaced) !

The filter change indicator can light up in three different colours to show you which filter to change !

- Filter change indicator lights up yellow: The combi-filter must be replaced !
- Filter change indicator lights up blue: The activated charcoal filter must be replaced !
- Filter change indicator lights up red: The HEPA filter must be replaced !

Important notes on resetting the filter change indicator:

After you have changed the filter, you must reset the filter change indicator so that it disappears from the display. For each colour of the filter change indicator, there is a combination of two buttons that must be pressed for at least 5 seconds to reset the filter change indicator !

Reset the yellow filter change indicator (combi-filter): Simultaneously press and hold the air circulation setting button and the night mode selection button for at least 5 seconds until the air purifier confirms the reset with a short beep. The filter change indicator should now go out.

Reset the blue filter change indicator (active charcoal filter): Simultaneously press and hold the selection button for automatic mode and the selection button for night mode for at least 5 seconds until the air purifier confirms the reset with a short beep. The filter change indicator should now go out.

Reset the red filter change indicator (HEPA filter): Press and hold the air sensor button and the night mode selection button simultaneously for at least 5 seconds until the air purifier confirms the reset with a short beep. The filter change indicator should now go out.

13.) Cleaning & Storage

Always unplug the appliance from the mains before cleaning it !

13.1 Cleaning:

- Use a soft and damp cloth to clean the outside of the unit.
- Only use mild cleaning agents to clean your air purifier.
- Please make sure that no water gets into the interior of the appliance or onto the filters at any time !

13.2 Retention:

- We recommend covering the unit for storage or ideally packing it in its original box.
- Store the unit in a dry and sufficiently ventilated place/space.

Technical data:

Model name:	WDH-H600A
Voltage:	220 - 240V / 50Hz
Max. Power consumption:	145 W (0.66 A)
Max. Air circulation:	540 m ³ /h
Recommended max. room size:	66 m ² (165 m ³)
Noise emission:	Max. 66 dB(A)
Dimension (H/W/D):	850 x 450 x 420 mm
Weight:	22 kg

For the technical data, deviations are reserved !!!

Troubleshooting:

The unit itself emits an unpleasant odour:

A new air purifier still has a slight odour of its own (fresh plastic, new motor, new paint, etc.). This new smell dissipates within a very short time (1-2 weeks) !

The air sensor is causing problems:

Please read the instructions under point 7 (Automatic mode). If the explanations given there are not applicable and the air sensor continues to cause difficulties (despite cleaning), read the following notes:

1. Have you given the air purifier a "free hand" for 12 hours in "auto mode" or have you let it run continuously? Especially at the beginning and especially with smokers, 12 hours of continuous operation and more are quite normal, because particles/odour patterns often sit in the entire inventory (curtains, upholstery, carpet, etc.) and depending on the nature of the material, it can take a considerable amount of time until these have been released again.
2. Please ensure that the air sensor function is not used when the air purifier is in a draught (e.g. between two open windows and/or doors).
3. In very rare cases, the air sensor may react negatively to certain substances (e.g. furniture polish, perfume, etc.) in your room. In these cases, you should refrain from using the automatic air sensor operation.

It takes too long to neutralise smoke and/or odours:

In general, the air purifier is very well suited for odour and smoke neutralisation. However, please note that the result/end result of our air purifier always depends on how much odour particles are flowing in and how the air circulation is at your location! This is because the inserted odour filters always absorb/remove only a part of all odour particles in one pass. Therefore, a general rule is three filter passes until all odour particles have been absorbed.

(Note: When filtering dust and particles, one filter pass is sufficient to clean the air, as all particles are retained in the fine filter (HEPA) = 99% effectiveness. For odours, the active carbon filter is mainly used and here the filter medium needs approx. three filter cycles per cbm of air until one can speak of clean air = 33% effectiveness !!)

Furthermore, it is also important to consider that odour patterns can already be present in the inventory (furniture) - and depending on the nature of the individual materials, it can take a considerable amount of time until these have released the odours again.

(The air purifier only eliminates odours that are circulated or filtered through it).

Other:

Warranty statement:

Notwithstanding the statutory warranty claims, the manufacturer grants a warranty in accordance with the laws of your country, but at least 1 year (in Germany 2 years for private individuals). The warranty begins on the date of sale of the appliance to the end user.

The guarantee only covers defects that are due to material or manufacturing faults.

Warranty repairs may only be carried out by an authorised customer service. To make a warranty claim, please enclose the original sales receipt (with date of sale).

Excluded from the guarantee are:

- Normal wear
- Improper applications, such as overloading the appliance or non-approved accessories.
- Damage due to external influences, use of force or foreign objects
- Damage caused by non-observance of the operating instructions, e.g. connection to an incorrect mains voltage or non-observance of the assembly instructions.
- Completely or partially dismantled units

Conformity:

The air purifier has been tested and itself and/or parts thereof have been manufactured under the following (safety) standards:

Of course with CE (EMC + LVD) conformity.

CE (EMC) conformity tested according to:

- EN 55014-1:2017
- EN 55014-2:2015
- EN 61000-3-2:2014
- EN 61000-3-3:2013

CE (LVD) Conformity tested according to:

- EN 60335-2-65:2003+A1:2008+A11:2012
- EN 60335-1:2012+A11:2014+A13:2017
- EN 62233:2008

Correct disposal of this product:



Within the EU, this symbol indicates that this product should not be disposed of with household waste. Waste equipment contains valuable recyclable materials that should be recycled. Furthermore, the environment or human health should not be polluted by uncontrolled waste disposal. Therefore, please dispose of old appliances via suitable collection systems or send the appliance for disposal to the place where you purchased it. They will then recycle the appliance.



I wish you much pleasure with this appliance.

Your Aktobis AG

Keep these instructions for use in a safe place !

